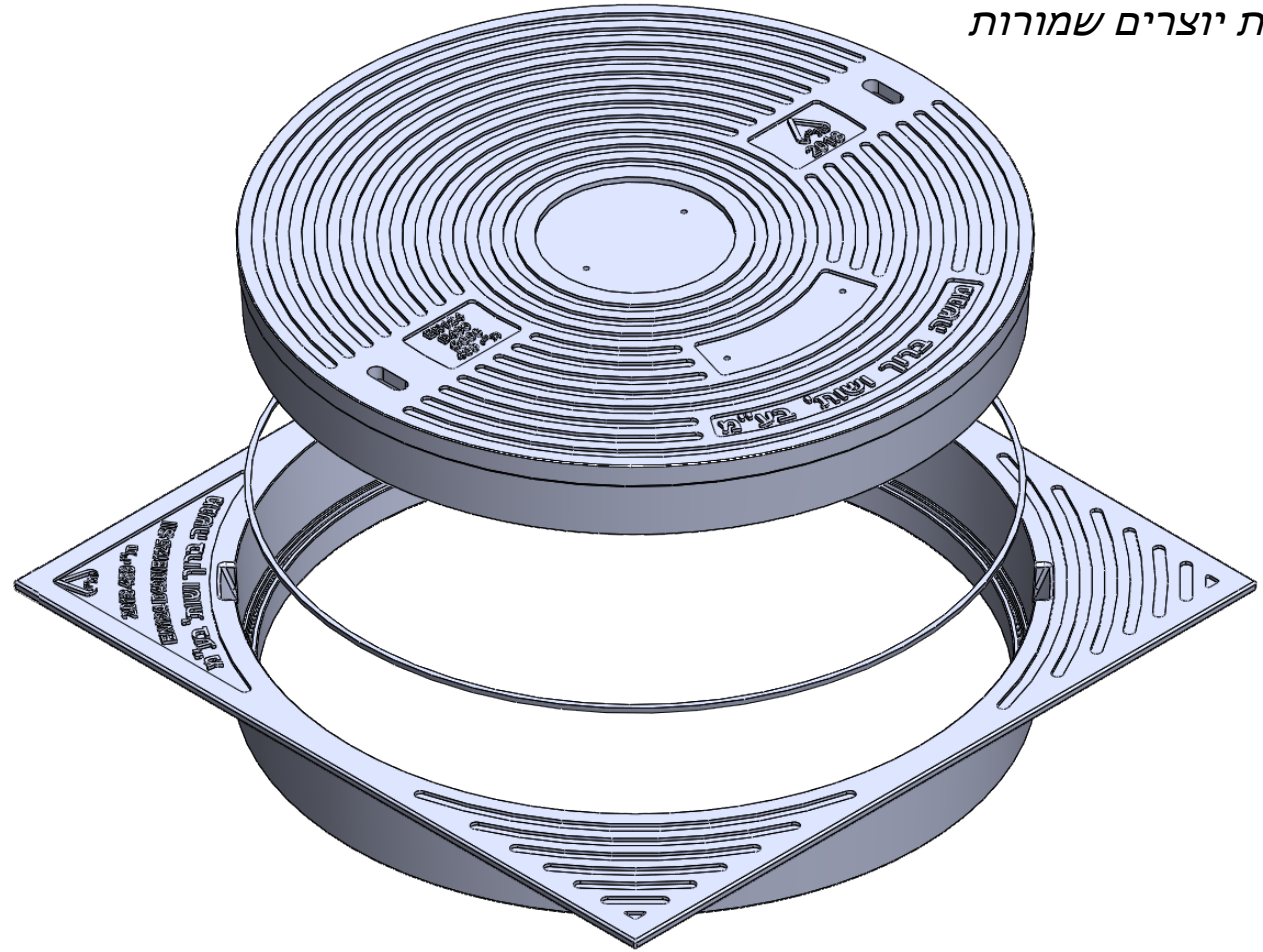
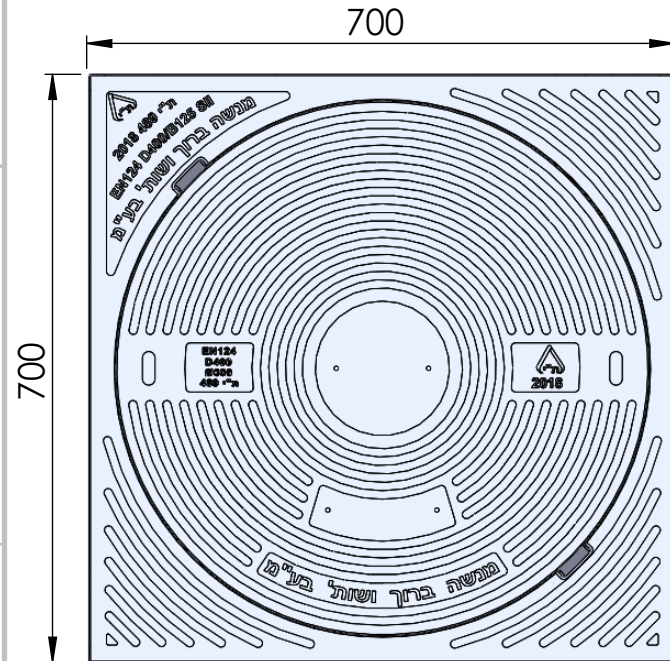



B125-600 M.B  
700x700x100  
MB350602B

מדגם רשום  
זכויות יוצרים שמורות

Cover Weight: 38 Kg D.I  
Frame Weight: 24 Kg D.I  
TOTAL: 62 Kg



UNLESS OTHERWISE SPECIFIED: MODEL:			<b>MENASHE BARUCH &amp; PARTNERS LTD.</b> <b>INFRASTRUCTURE PRODUCTS</b> <a href="http://www.mb-ltd.co.il">www.mb-ltd.co.il</a>
DIMENSIONS ARE IN MILLIMETERS			
		MATERIAL:	TITLE:
		Weight: 62 Kg	Assembly
		Scale:	DWG NO. 1