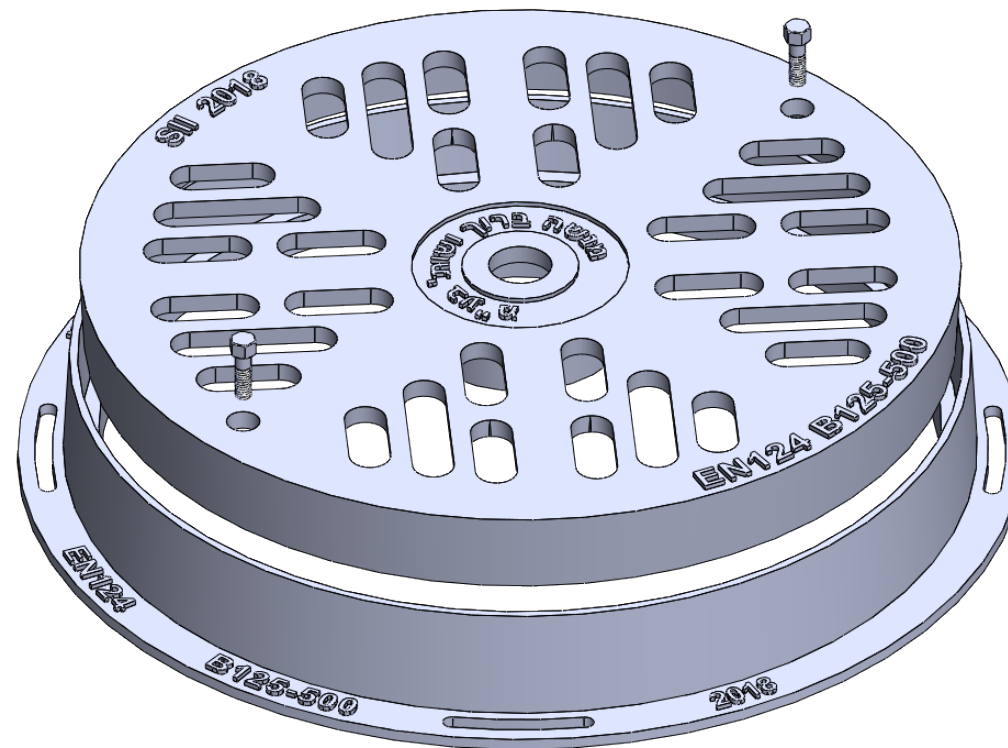
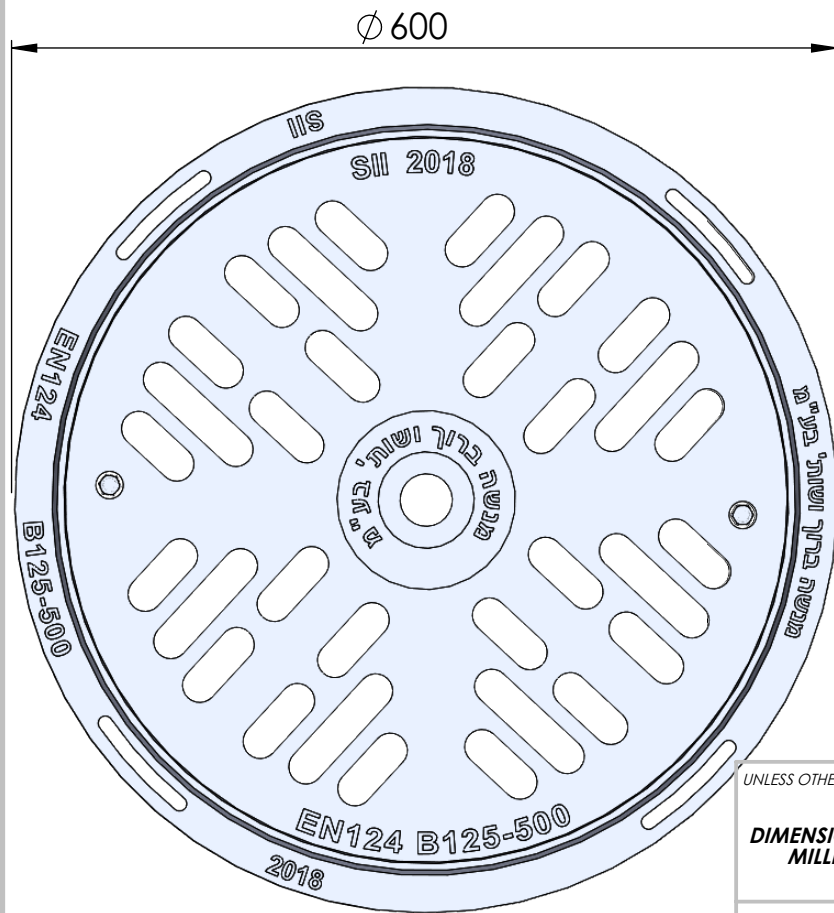


B125-500 Grating
MB401500B

מדגם רשום
זכויות יוצרים שמורות

Total Weight: 35 Kg
Ductile Iron

Total Height: 75mm



UNLESS OTHERWISE SPECIFIED: MODEL:

DIMENSIONS ARE IN
MILLIMETERS

B125-500 Grating



MENASHE BARUCH & PARTNERS LTD.
INFRASTRUCTURE PRODUCTS
www.mb-ltd.co.il

MATERIAL: Ductile Iron

TITLE: Assembly

Weight: 35 Kg

Scale:

DWG NO. 1