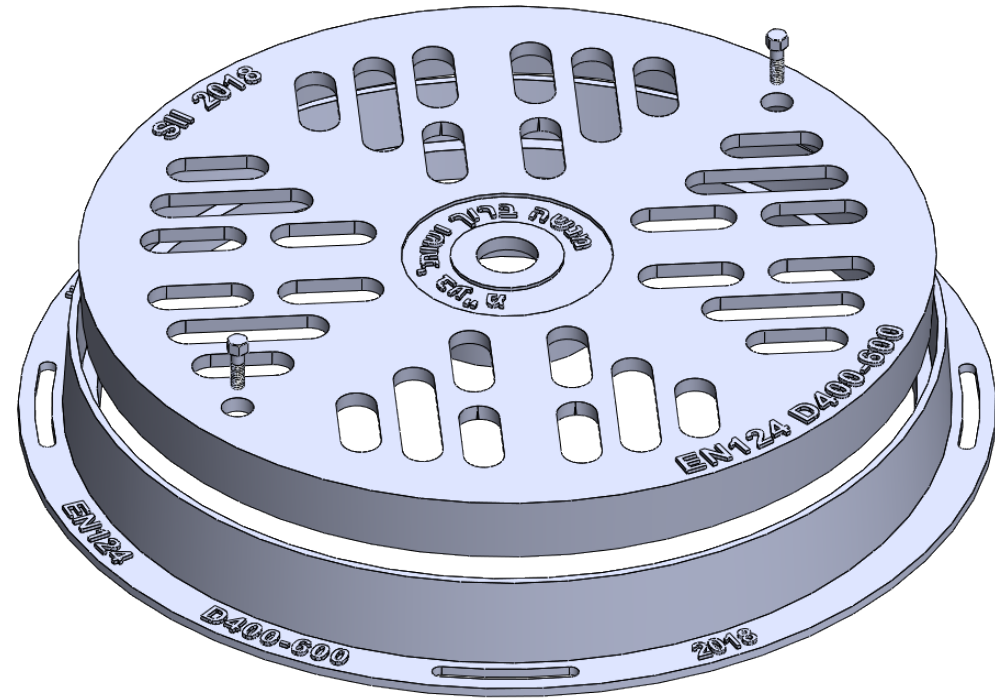
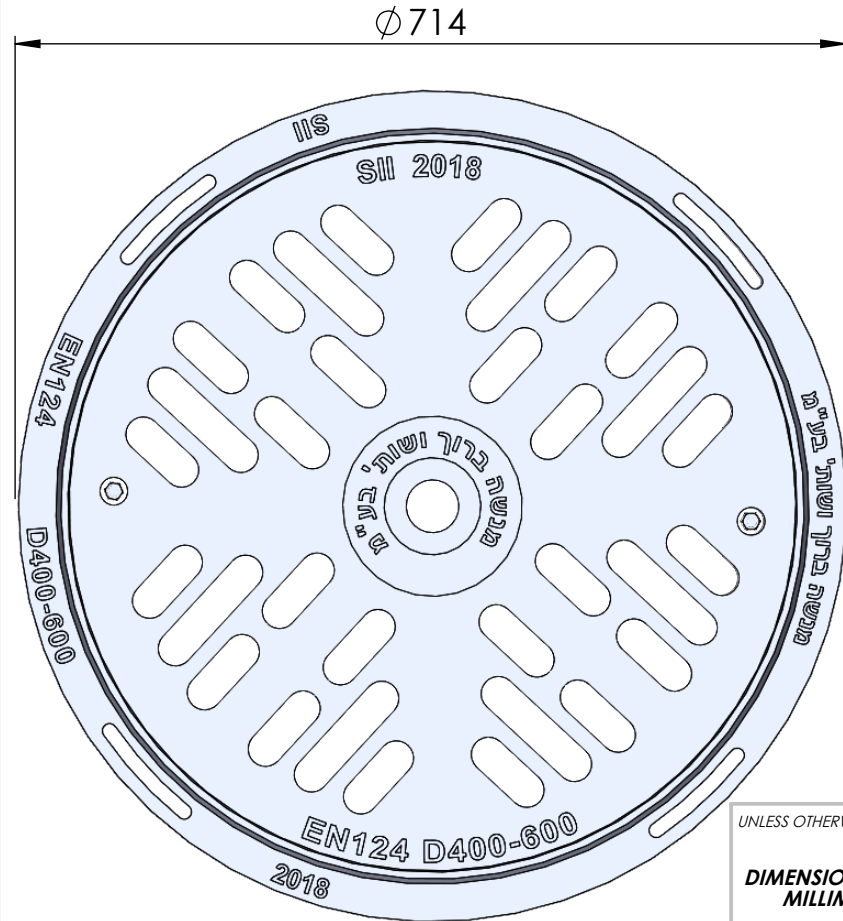



D400-600 Grating
MB401601D

Total Weight: 70 Kg
Ductile Iron

Total Height: 75mm

מדגם רשום
זכויות יוצרים שמורות



UNLESS OTHERWISE SPECIFIED: MODEL:			MENASHE BARUCH & PARTNERS LTD. INFRASTRUCTURE PRODUCTS www.mb-ltd.co.il
DIMENSIONS ARE IN MILLIMETERS	D400-600 Grating		
		MATERIAL: Ductile Iron	TITLE: Assembly
		Weight: 70 Kg	
		Scale:	DWG NO. 1