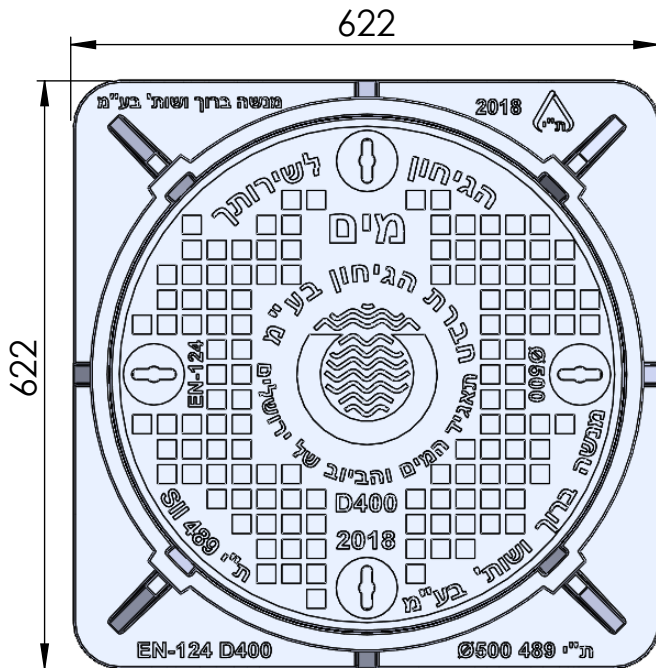
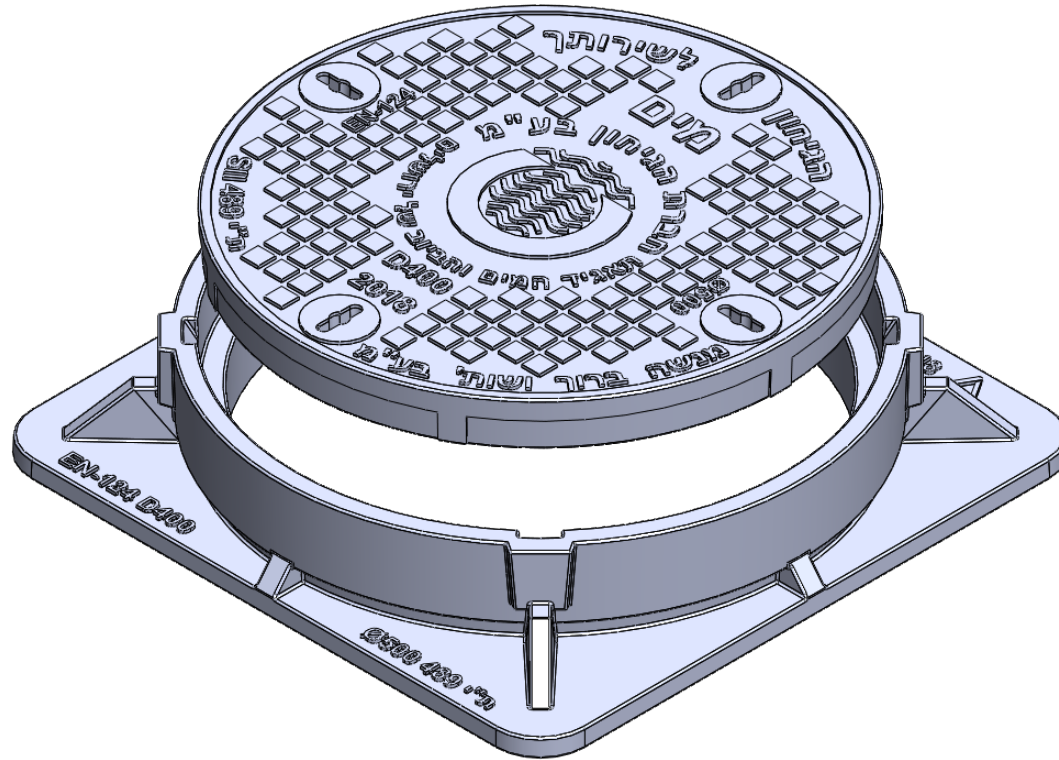



D400-500 "Gihon Maim"

Cover Weight: 48.5 Kg Ductile Iron
 Frame Weight: 63.5 Kg Grey Iron
 TOTAL: 112 Kg

Total Height: 120mm

מדגם רשום
 זכויות יוצרים שמורות



UNLESS OTHERWISE SPECIFIED: MODEL:			MENASHE BARUCH & PARTNERS LTD. INFRASTRUCTURE PRODUCTS www.mb-ltd.co.il
D400-500 Cover הגיחון מים חדש 2018			
DIMENSIONS ARE IN MILLIMETERS		MATERIAL:	TITLE:
		Weight: 112 Kg	Assembly
All Rights Reserved		Scale:	DWG NO. 1