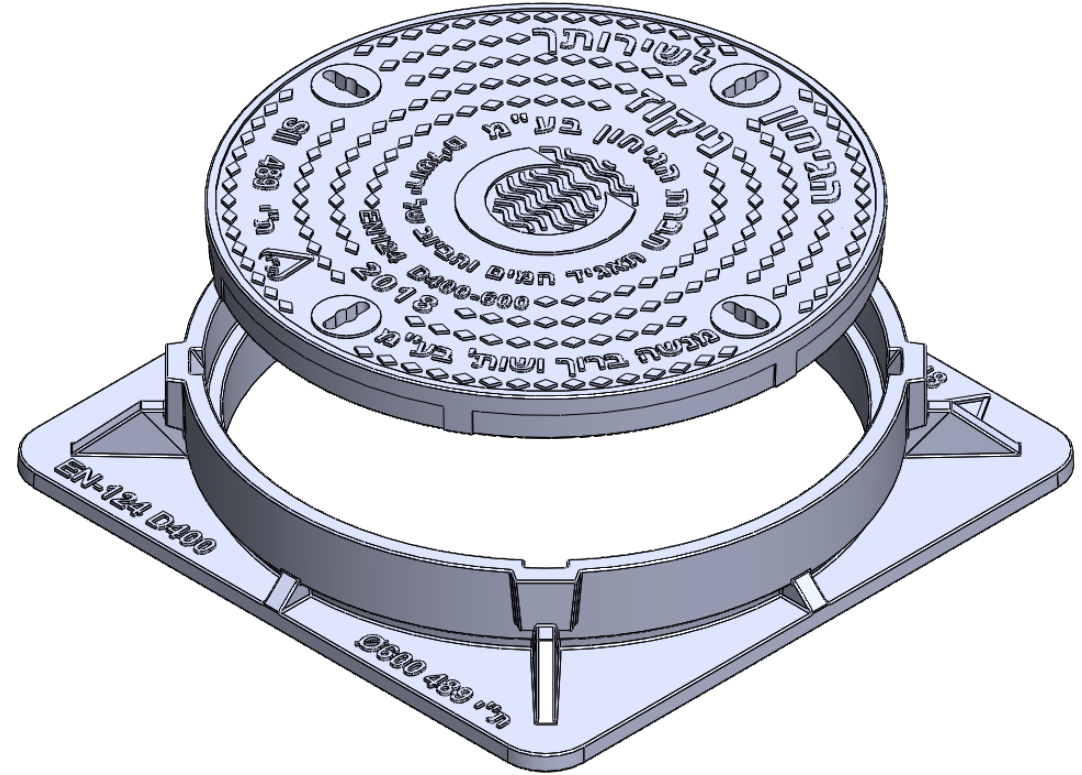
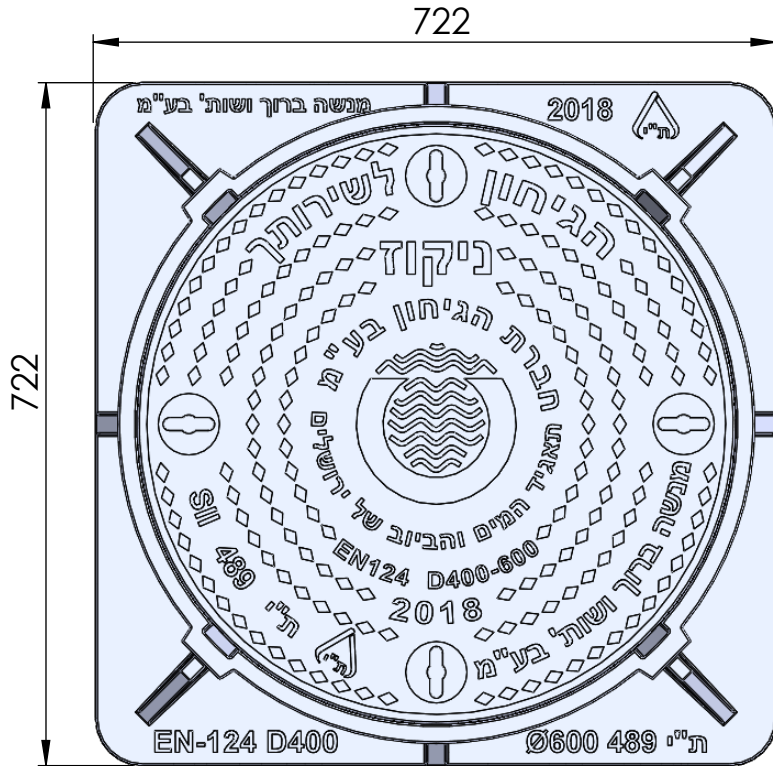



D400-600 "Gihon Nikuz"

מדגם רשום
זכויות יוצרים שמורות

Cover Weight: 66 Kg Ductile Iron
Frame Weight: 72.5 Kg Grey Iron
TOTAL: 138.5 Kg



Total Height: 120mm

UNLESS OTHERWISE SPECIFIED: MODEL:			MENASHE BARUCH & PARTNERS LTD. INFRASTRUCTURE PRODUCTS www.mb-ltd.co.il
D400-600 Cover הג'יחון ניקוז חדש 2018			
DIMENSIONS ARE IN MILLIMETERS		MATERIAL:	TITLE:
		Weight: 138.5 Kg	Assembly
All Rights Reserved		Scale:	DWG NO. 1