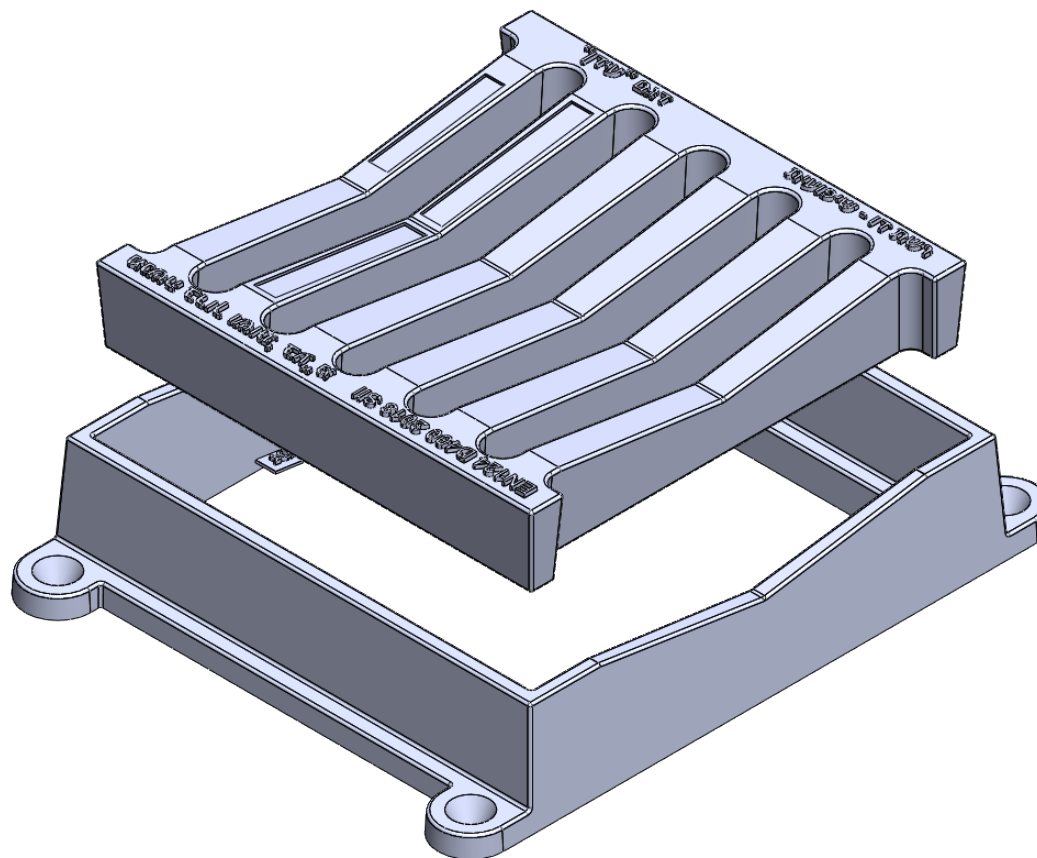
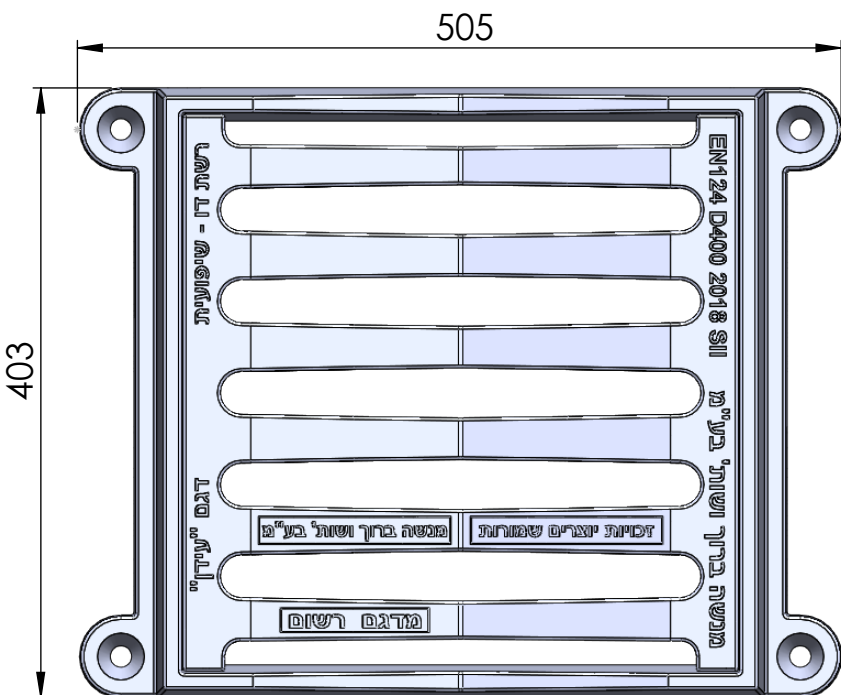



"IDAN" Grating D400 - Double Slope
MB408103D

מדגם רשום
זכויות יוצרים שמורות

Grating Weight: 26 Kg
Frame Weight: 19 Kg
TOTAL: 45 Kg

Total Height: 90mm



UNLESS OTHERWISE SPECIFIED: DIMENSIONS ARE IN MILLIMETERS	MODEL:	"IDAN" Grating Double Slope D400	 MENASHE BARUCH & PARTNERS LTD. INFRASTRUCTURE PRODUCTS www.mb-ltd.co.il		
	MATERIAL:	Ductile Iron		TITLE:	Assembly
	Weight:	45 Kg		DWG NO.:	1
	Scale:				