

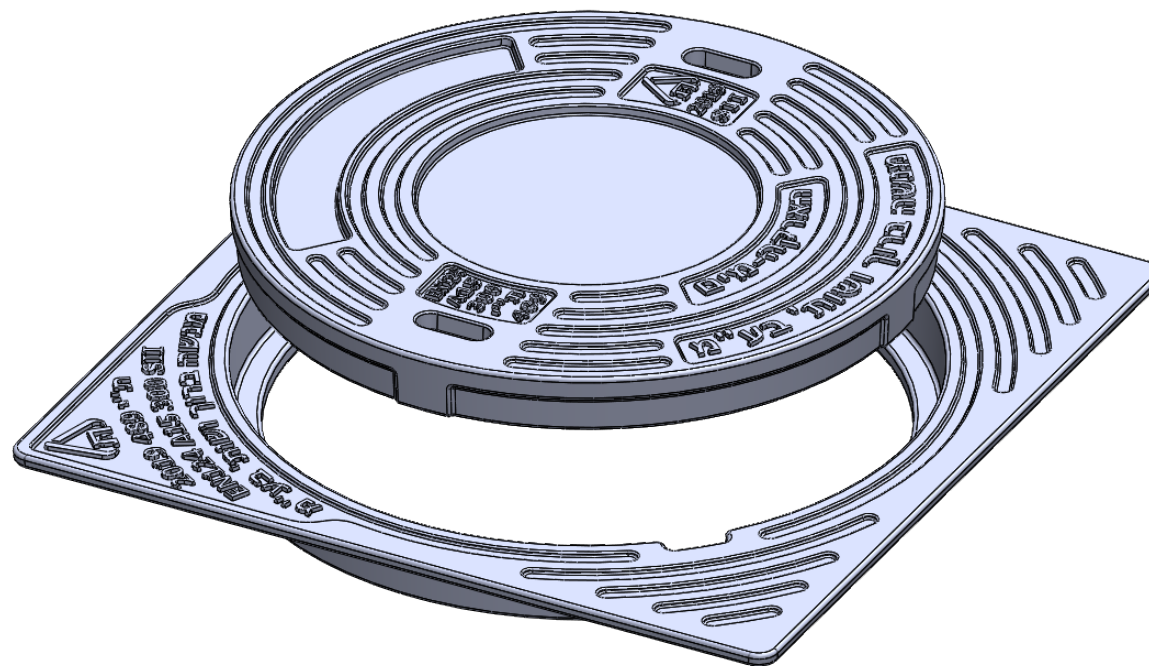
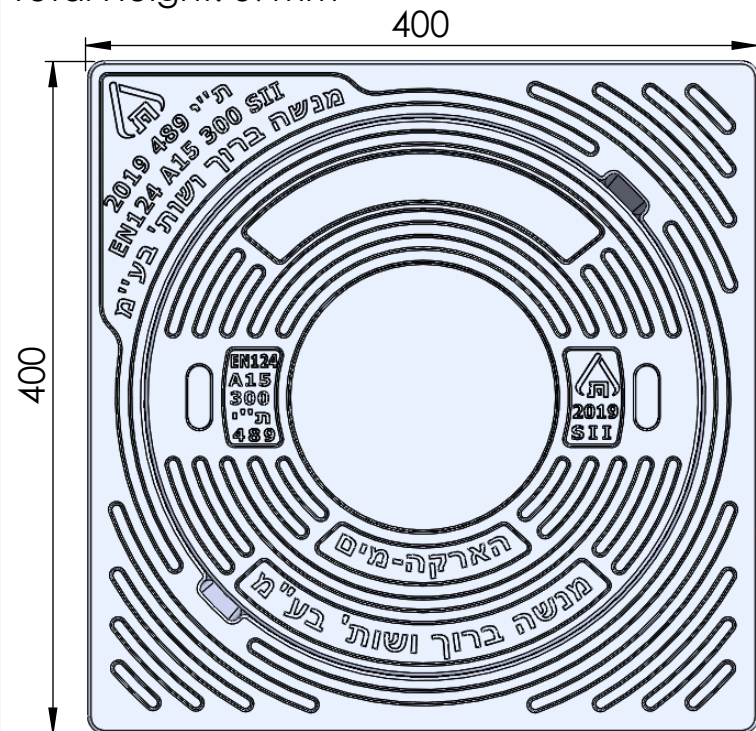
A15-300+Square Frame


Cover Weight: 8Kg
Frame Weight: 6Kg

Total: 14 Kg
Grey Iron

Total Height: 39mm

מדגם רשום
זכויות יוצרים שמורות



UNLESS OTHERWISE SPECIFIED: DIMENSIONS ARE IN MILLIMETERS	MODEL:		MENASHE BARUCH & PARTNERS LTD.
	A15-300 +Square Frame		INFRASTRUCTURE PRODUCTS
			www.mb-ltd.co.il
	MATERIAL:	Grey Iron	TITLE:
	Weight:	14 Kg	Assembly
	Scale:		DWG NO. 1