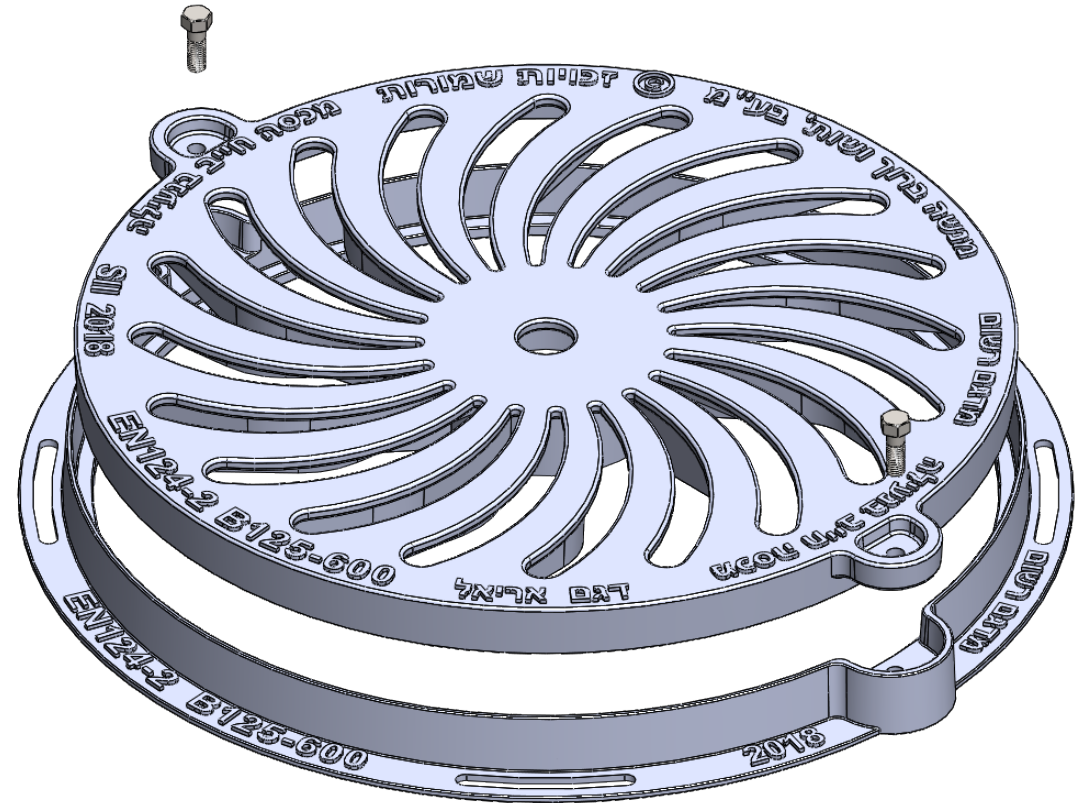
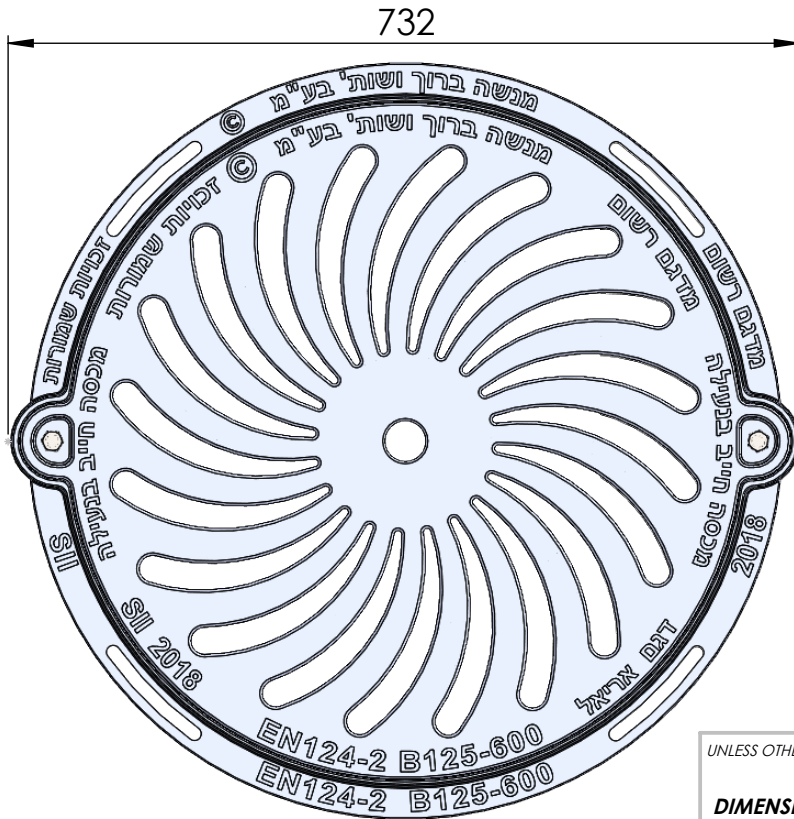



"Ariel" Grating B125-600 + Locks

מדגם רשום  
זכויות יוצרים שמורות

Grating Weight: 28.2 Kg  
Frame Weight: 8.8 Kg  
TOTAL: 37 Kg  
Ductile Iron

Total Height: 75mm



UNLESS OTHERWISE SPECIFIED: MODEL:			<b>MENASHE BARUCH &amp; PARTNERS LTD.</b> <b>INFRASTRUCTURE PRODUCTS</b> <a href="http://www.mb-ltd.co.il">www.mb-ltd.co.il</a>
Ariel Grating B125-600			
DIMENSIONS ARE IN MILLIMETERS	MATERIAL:	Ductile Iron	TITLE:
	Weight:	37 Kg	Assembly
	Scale:		DWG NO. 1